



Spare Parts

Filleting machine

Type CUL11

No. XXXXX



Spare Parts Routine

When ordering spare parts, please always state:

- Machine number and type, see machine plate.
- Part number and denomination, see spare parts catalogue.



Note!

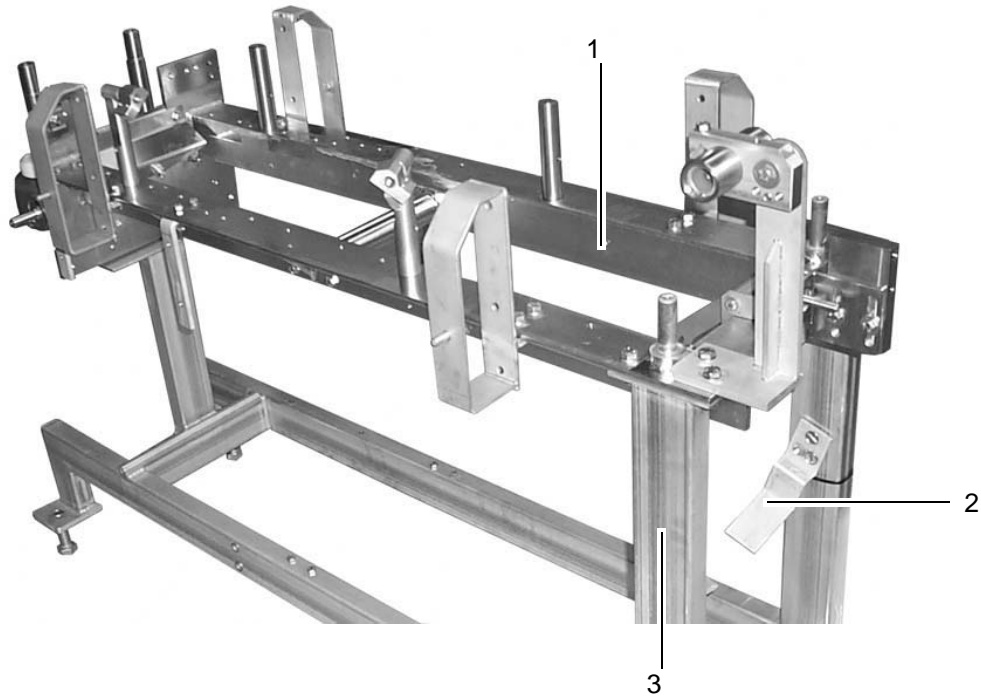
If the part number is followed by an "F" or an "*", this indicates that the part is size dependant. If so, please state all datas that affect the part in question.

On request we can supply

- Suggestions of parts to be kept in stock by user.
- List of parts for renovation.
- List of available improvements.
- List of parts required when changing from one size to another.
- Please always indicate type and serial number of the machine and size of product.

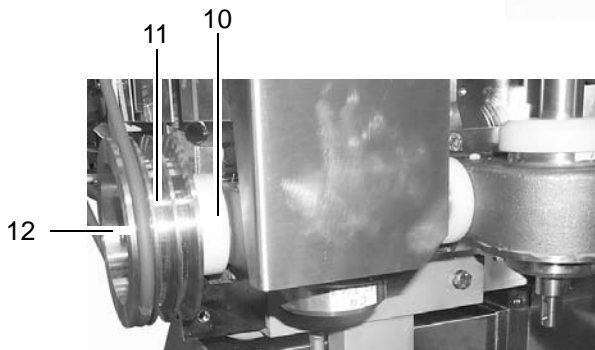
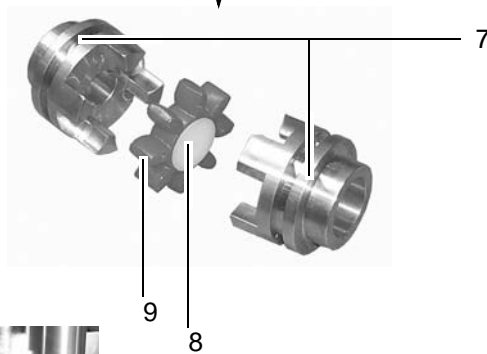
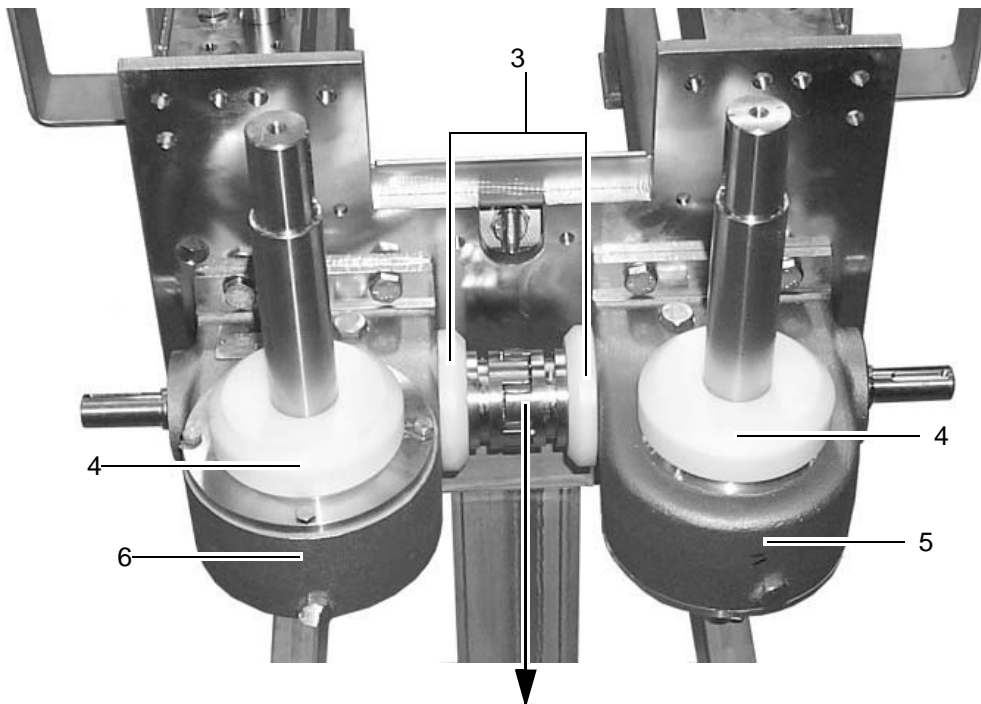
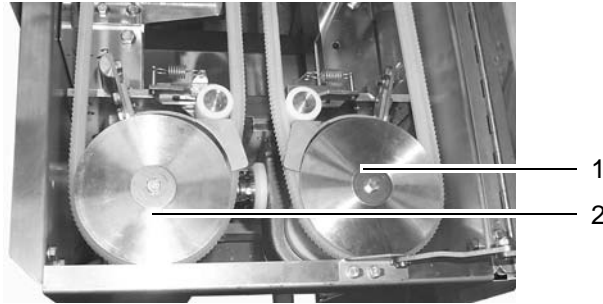
1 Stand (CUL11 1,01)	1
2 Worm gear (CUL11 2,02)	3
3 Wheel (CUL11 3,02)	5
4 Gear box (CUL11 4,02)	7
5 Cleaning wheel (CUL11 5,02)	9
6 Cutting unit (CUL11 6,02)	11
7 Fillet aggregate (CUL11 7,02)	13
8 Finger, guiding (CUL11 8,02)	15
9 Belt, back guiding (CUL11 9,03)	17
10 Cover, chute (CUL11 10,01)	21
11 Drive (CUL11 11,01)	23
12 Flush system (CUL11 12,01)	25
13 Brush (CUL11 13,01)	27
14 Size parts	29
15 Miscellaneous	31

1 Stand (CUL11 1,01)



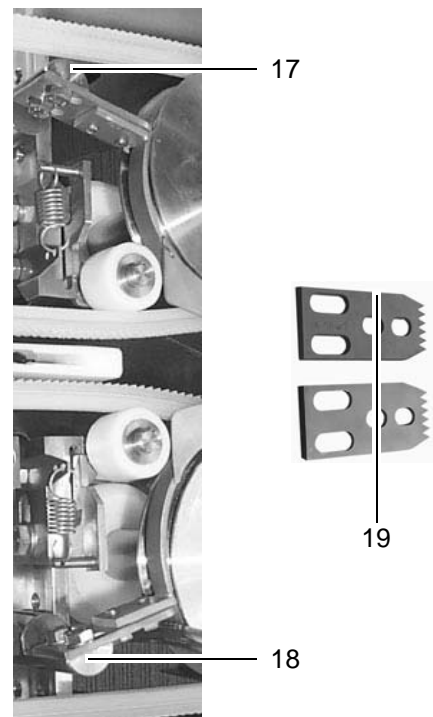
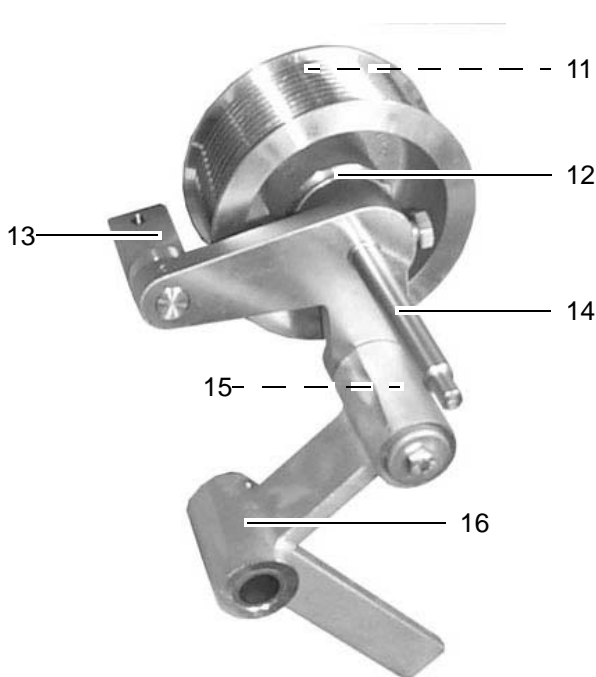
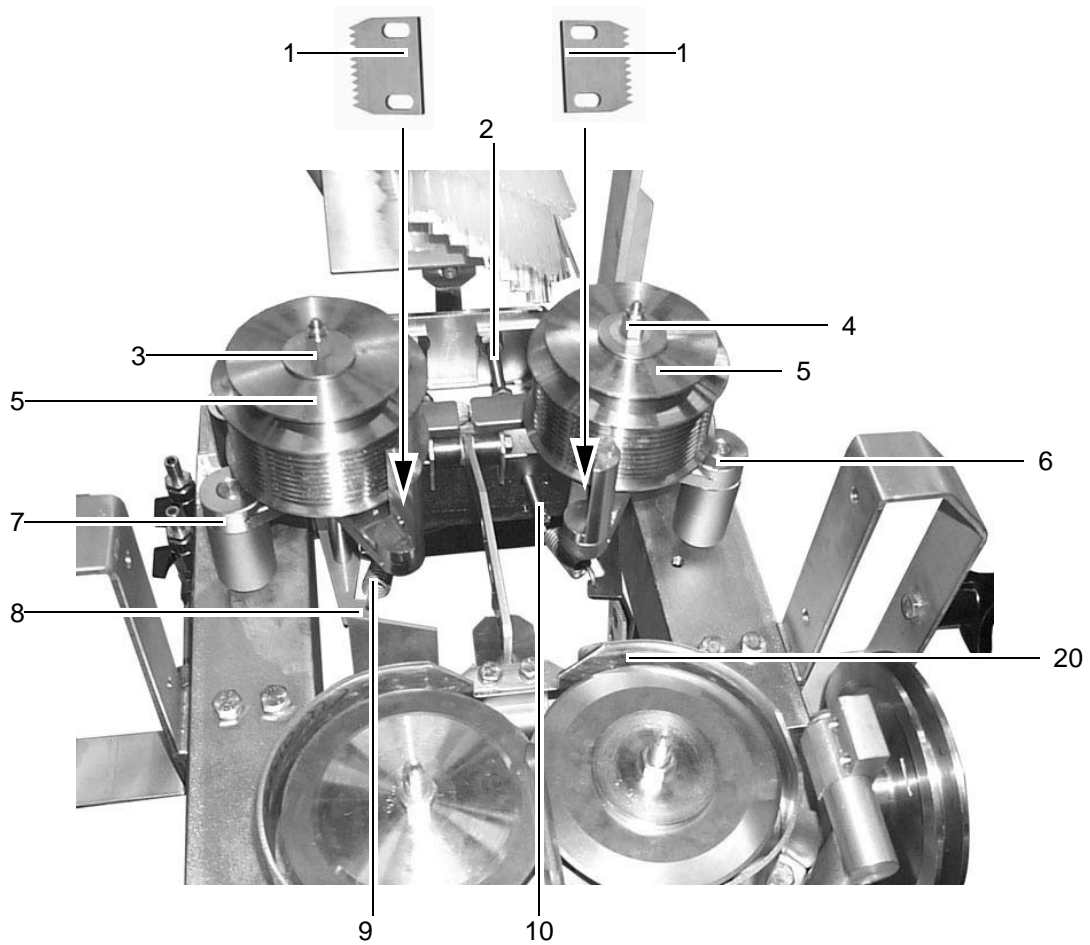
Pos. No	Part No	Name
1	CU-00111-2	Frame
2	CU-00361-2	Bracket
3	CU-00110-3	Frame

2 Worm gear (CUL11 2,02)



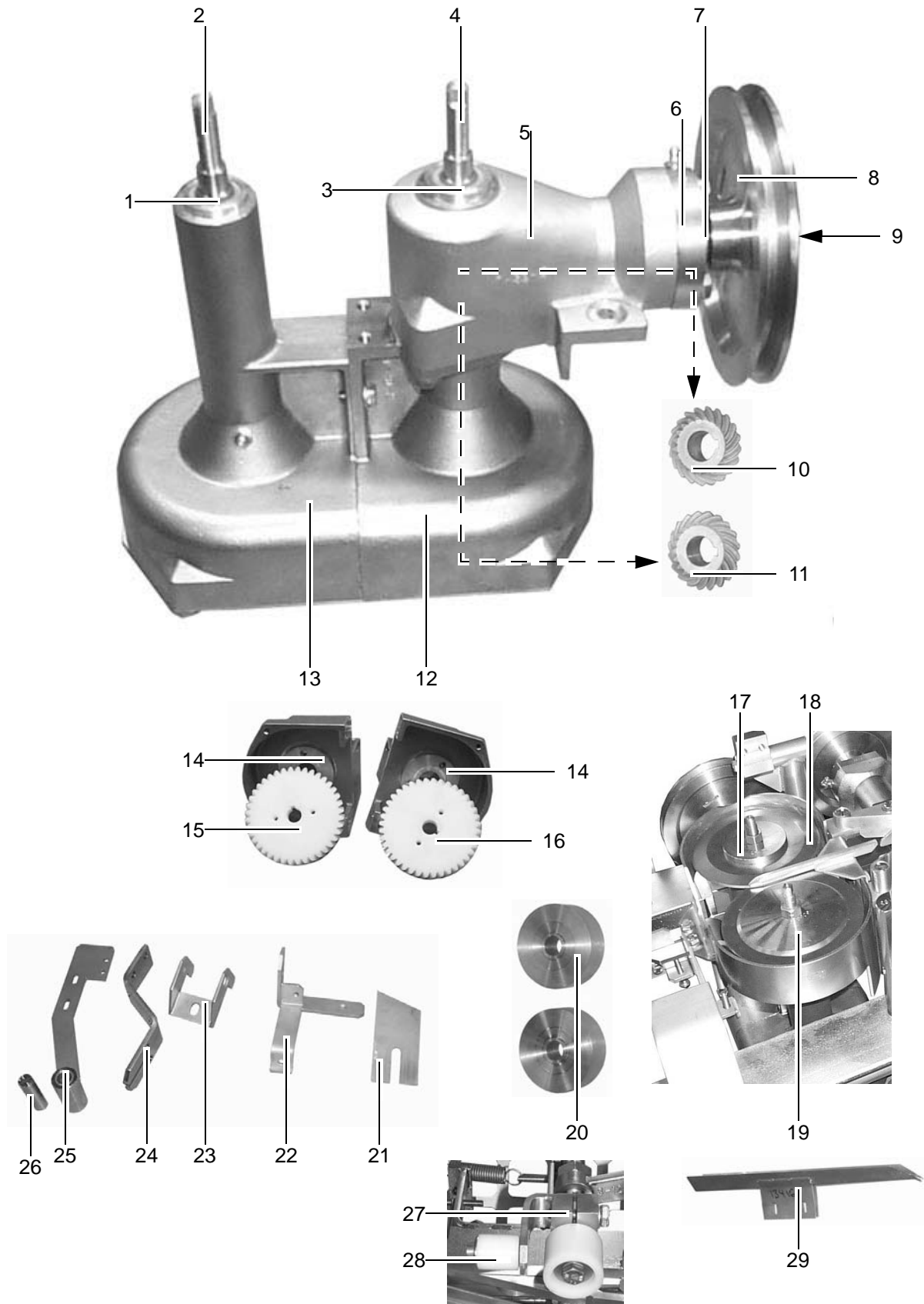
Pos. No	Part No	Name
1	CU-00016-2	Washer
2	CU-00015-6	Pulley
3	CU-02227	Ring
4	CU-03776	Ring
5	CU-01333-3	Worm gear
6	CU-01334-2	Worm gear
7	CU-03842-3	Coupling
8	CU-03843	Rubber block
9	CU-00898	Gear ring
10	CU-02226	Ring
	V-55A	Sealing
11	CU-00014-6	Pulley
12	CU-00016-1	Washer

3 Wheel (CUL11 3,02)



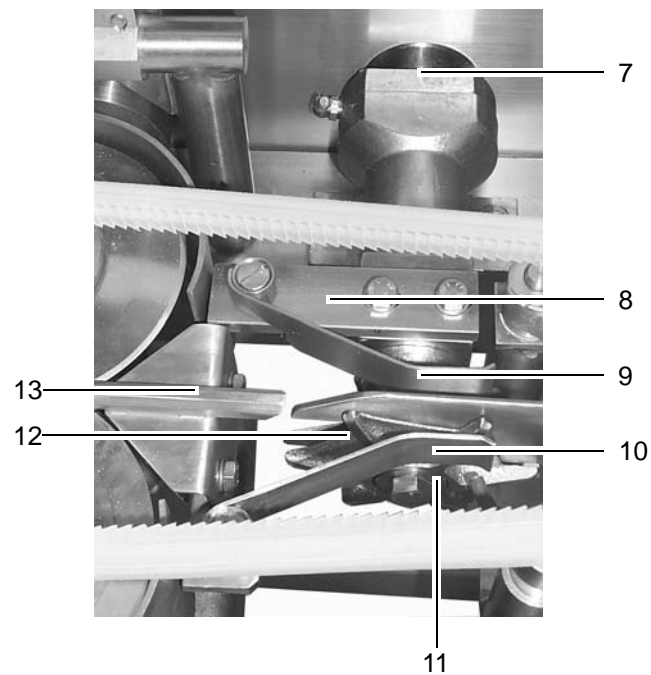
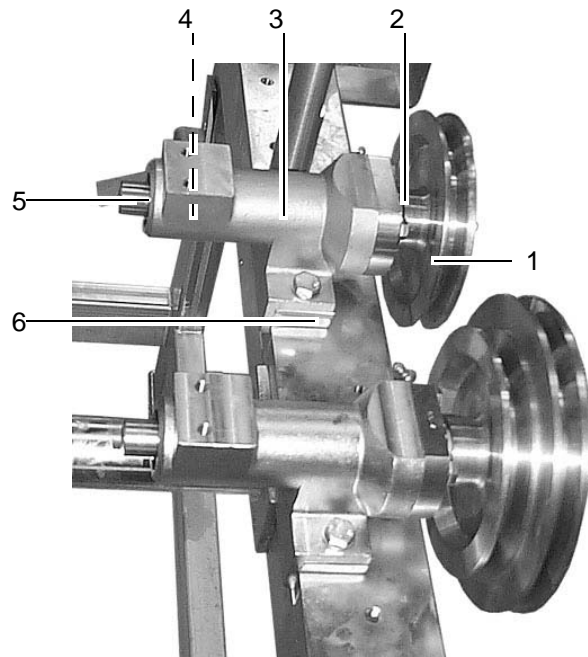
Pos. No	Part No	Name
1	CU-02204-2	Scraper
2	CU-03323-1	Screw
3	CU-00016-2	Washer
4	CU-00037	Screw
	TSNAH KR 1/8"RS	Nipple
5	CU-02177-2	Wheel
6	CU-01680-2	Lever
7	CU-01681-2	Lever
8	CU-04638	Lever
9	CU-00338	Spring
10	CU-00339-2	Spring holder
11	CU-01320-2	Bushing
12	CU-02917-2	Bushing
13	CU-02205-2	Bracket
14	CU-01835-3	Shaft
15	CU-00344	Shaft
16	CU-00340-7	Lever
17	CU-01682-2	Bracket
18	CU-01683-2	Bracket
19	CU-14485-1	Scraper
20	CU-01319	Cover

4 Gear box (CUL11 4,02)



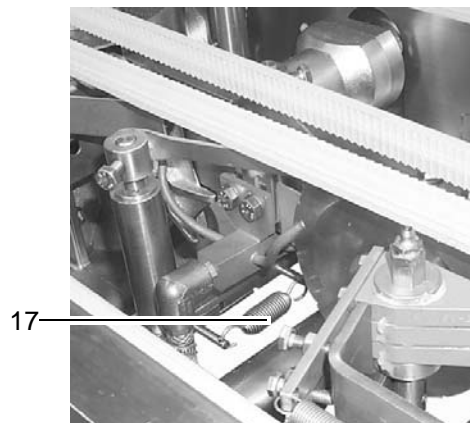
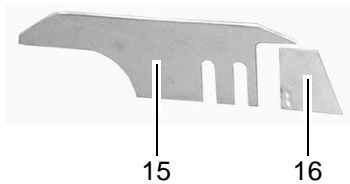
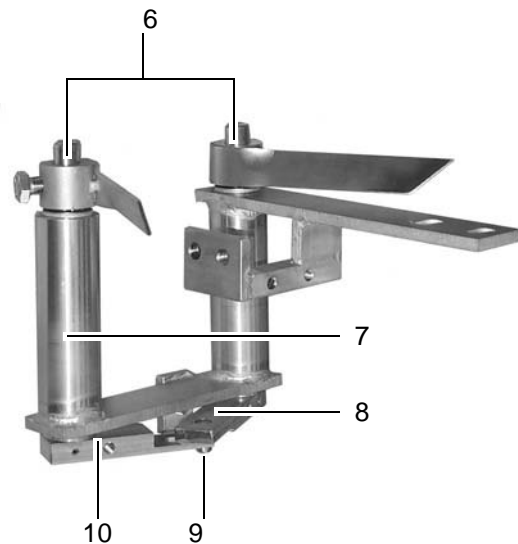
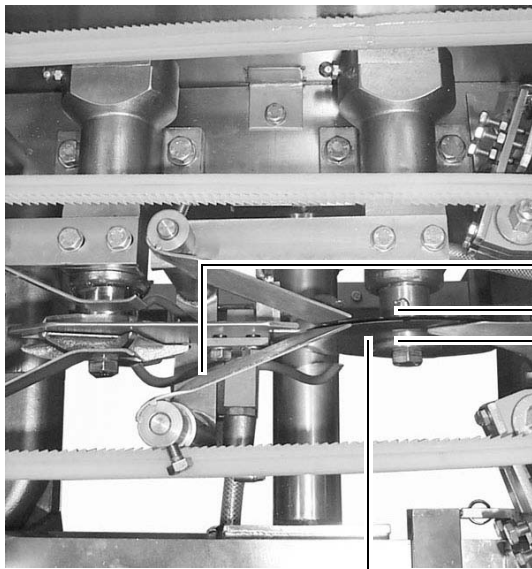
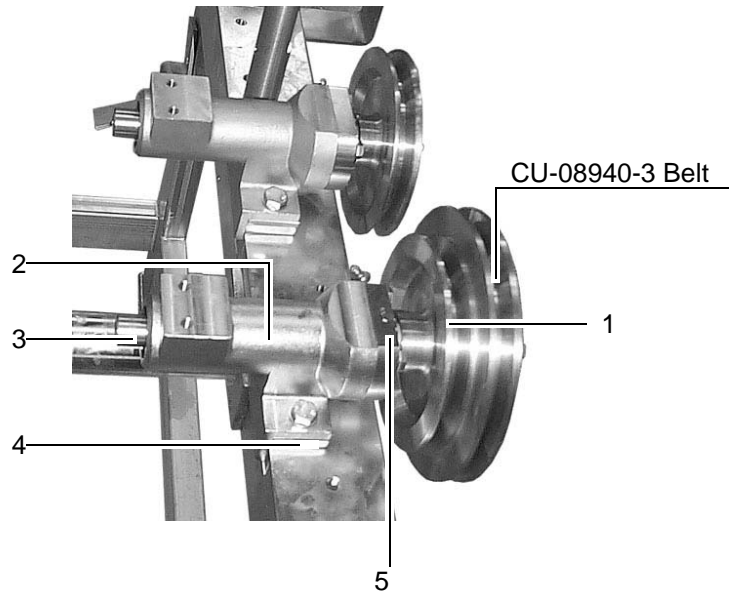
Pos. No	Part No	Name
1	CU-01367-2	Bushing
2	CU-00049	Shaft
	SLB 20/28X20	Bushing
3	CU-00092	Washer
	CU-07925	Bushing
4	CU-00048	Shaft
	SLB 20/28X20	Bushing
5	CU-00039-2	Gear house
	SKF 6204	Ball bearing
	SGH 35 RS	Ring
6	CU-00043	Cap
7	CU-00047	Sleeve
	V-28S	Sealing
8	CU-00046-2	Pulley
	CU-00038-1	Belt
9	CU-00042	Shaft
10	CU-06229	Cog wheel
11	CU-06228	Cog wheel
12	CU-00040-2	Gear house
	SKF 3204 ATN9	Ball bearing
13	CU-00041-2	Gear house
	SKF 3204 ATN9	Ball bearing
14	CU-06535	Cap
15	CU-00174-2	Cog wheel
16	CU-00173-2	Cog wheel
17	CU-05146-3	Washer
18	CU-00058-3	Knife
19	CU-06058-3	Disc
20	CU-05145-2	Hub, F60/F45
	CU-05145-3	Hub, F75
21	CU-14111	Bracket
22	CU-14110	Guide
23	CU-13412	Bracket
24	CU-13411	Bracket
25	CU-13410	Bracket
	SLB 16/20x25	Bushing
26	CU-13413	Shaft
27	CU-14112	Bracket
28	CU-10382-3	Roller
29	CU-13415	Guide, F45
	CU-13416	Guide, F60
	CU-13417	Guide, F75/F90

5 Cleaning wheel (CUL11 5,02)



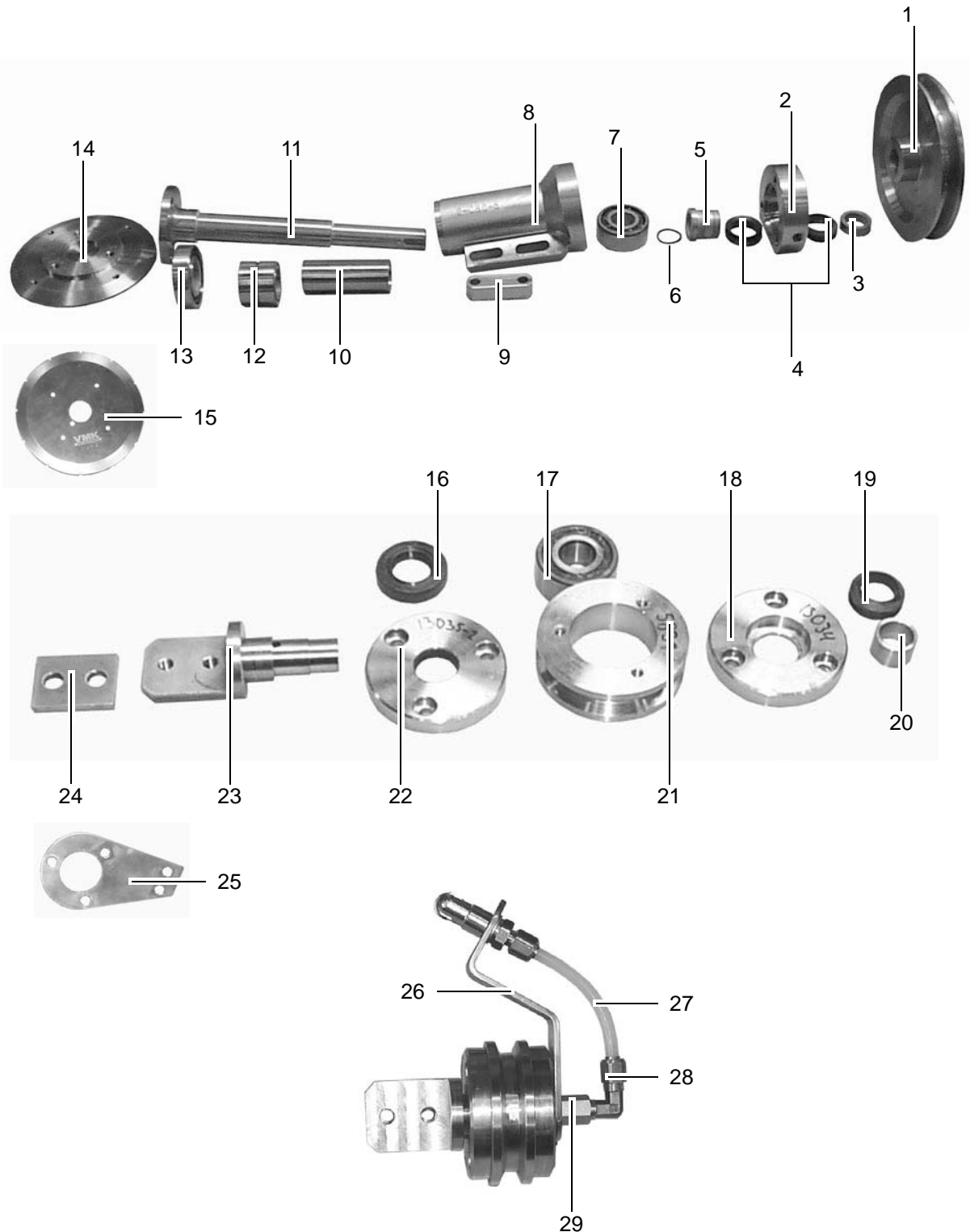
Pos. No	Part No	Name
1	CU-00066-7	Pulley
2	CU-00047	Sleeve
	V-28S	Sealing
3	CU-00063-6	Bearing housing
	SKF 6204	Ball bearing
	SGH 35 RS	Ring
4	CU-01320	Bushing
5	CU-00064	Shaft
6	CU-00069-2	Washer
7	CU-00065	Cap
	TSNCH KR 1/8"RS	Nipple
8	CU-03110	Bracket
9	CU-03111	Guide
10	CU-03112-2	Guide
11	CU-00068-2	Washer
12	CU-00067	Cleaning wheel
13	CU-03422	Guide

6 Cutting unit (CUL11 6,02)



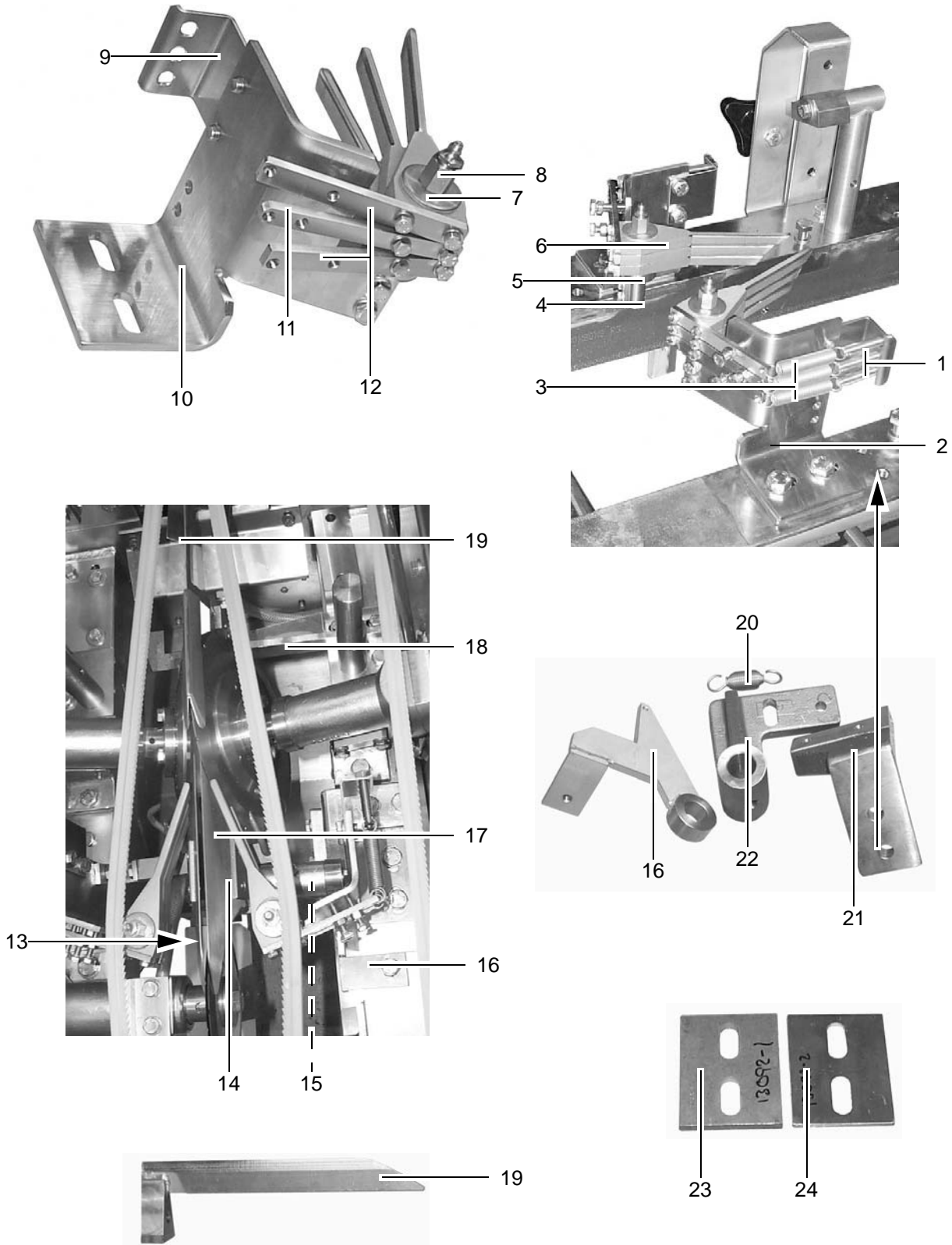
Pos. No	Part No	Name
1	CU-00073-2	Pulley
2	CU-00063-7	Bearing housing
	SKF 6204	Ball bearing
	SGH 35 RS	Ring
3	CU-00064	Shaft
4	CU-00069-4	Insert
5	CU-00065	Cap
	TSNCH KR 1/8"RS	Nipple
6	CU-03178-2	Shaft
7	CU-03177-2	Bracket
	SLB 12/18X16	Bushing
8	CU-03179	Lever
9	CU-03182	Stud
10	CU-03180	Lever
11	CU-03181	Lever
12	CU-04503-1	Hub
13	CU-00076-2	Washer
14	CU-00058-2	Knife
15	CU-03183-2	Guide
16	CU-03413	Scraper
17	CU-02208	Spring

7 Fillet aggregate (CUL11 7,02)



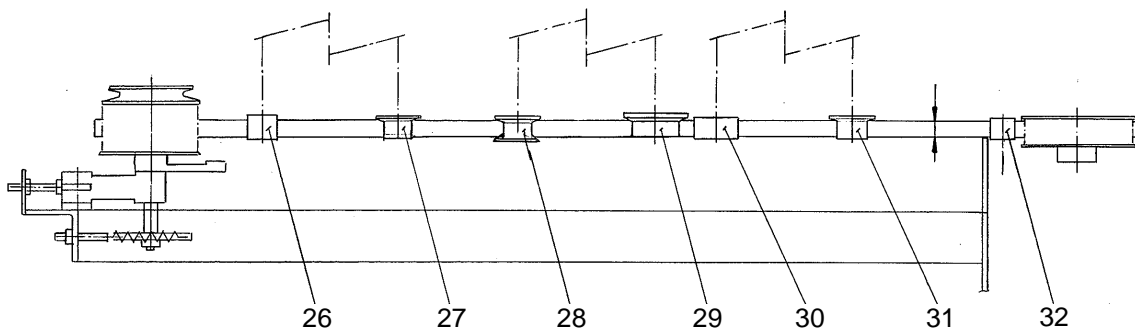
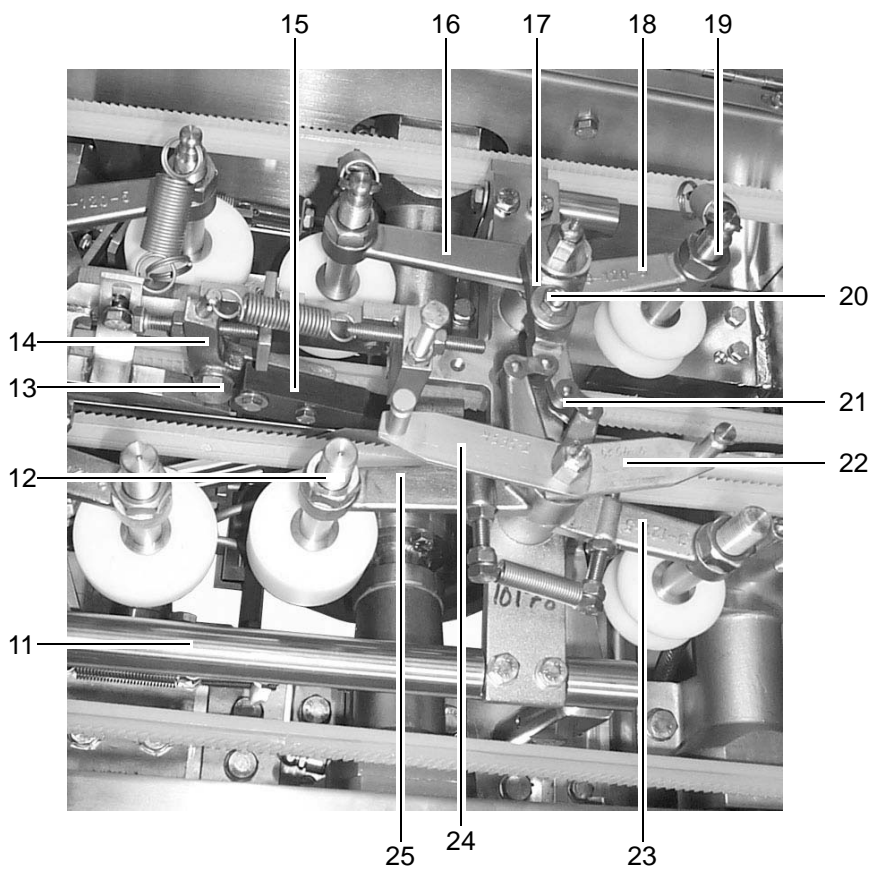
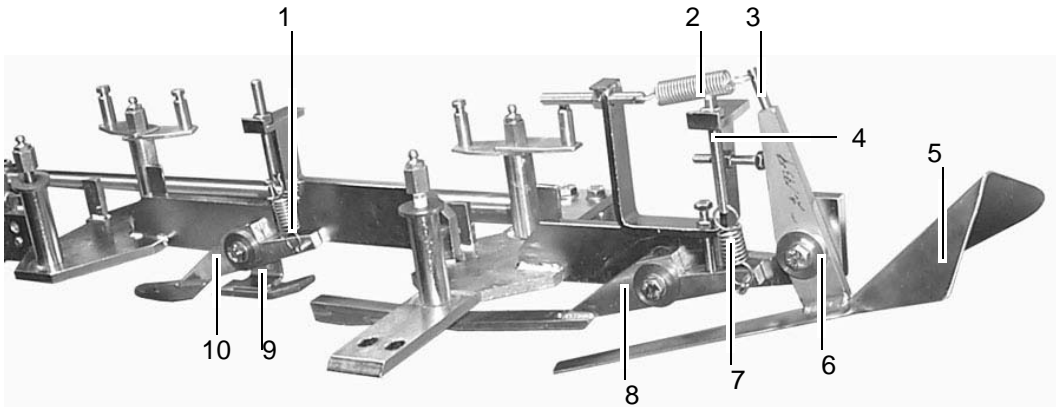
Pos. No	Part No	Name
1	CU-00066-7	Pulley
	CU-00038-24	Belt
2	CU-00065-5	Cap
	TSNCH KR 1/8"RS	Nipple
3	CU-00053-2	Spacer
4	V-28S	Sealing
5	CU-00047	Sleeve
6	OR 19,1X1,6	Sealing
7	SKF 3204 ATN9	Ball bearing
8	CU-00080-6	Bearing housing
9	CU-01686-2	Spacer
10	CU-06158-2	Distance
11	CU-00082-2	Shaft
12	SKF NKI 25/30	Needle bearing
13	CU-06157-2	Ring
	V-35A	Sealing
14	CU-01689-2	Washer
15	CU-00085-4	Knife
	CU-06845-2	Knife (mackerel)
	CU-02796	Knife (F45)
16	TR 20X35X7	Sealing
17	SKF 3203 ATN9	Ball bearing
18	CU-13034-2	Cap
19	V-20S	Sealing
20	CU-13036-2	Sleeve
21	CU-05839-2	Pulley
22	CU-13035-2	Cap
23	CU-05838-4	Shaft
24	CU-05967-2	Insert
25	CU-05837	Bracket
26	CU-14104	Bracket
27	TR 6/3H	Hose
28	WA-6-1/8"	Angle
29	CU-00037	Screw

8 Finger, guiding (CUL11 8,02)

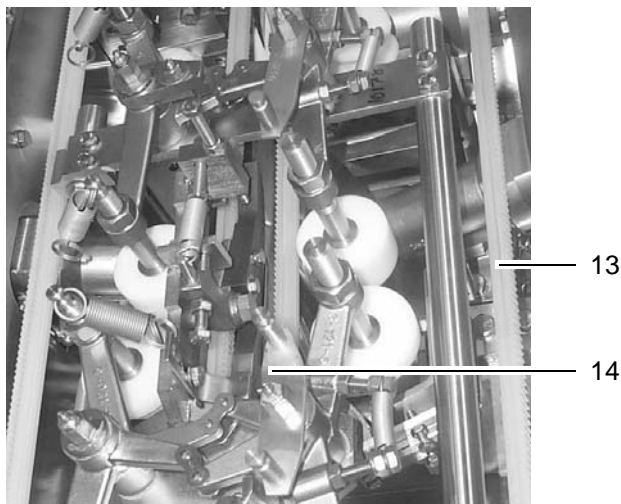
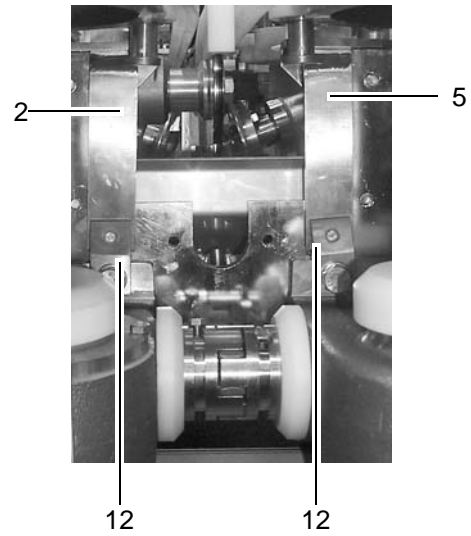
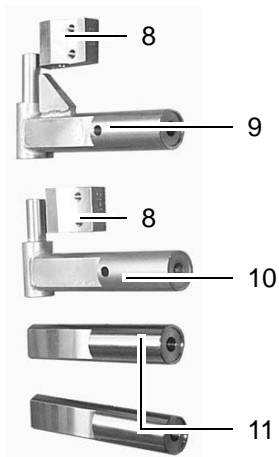
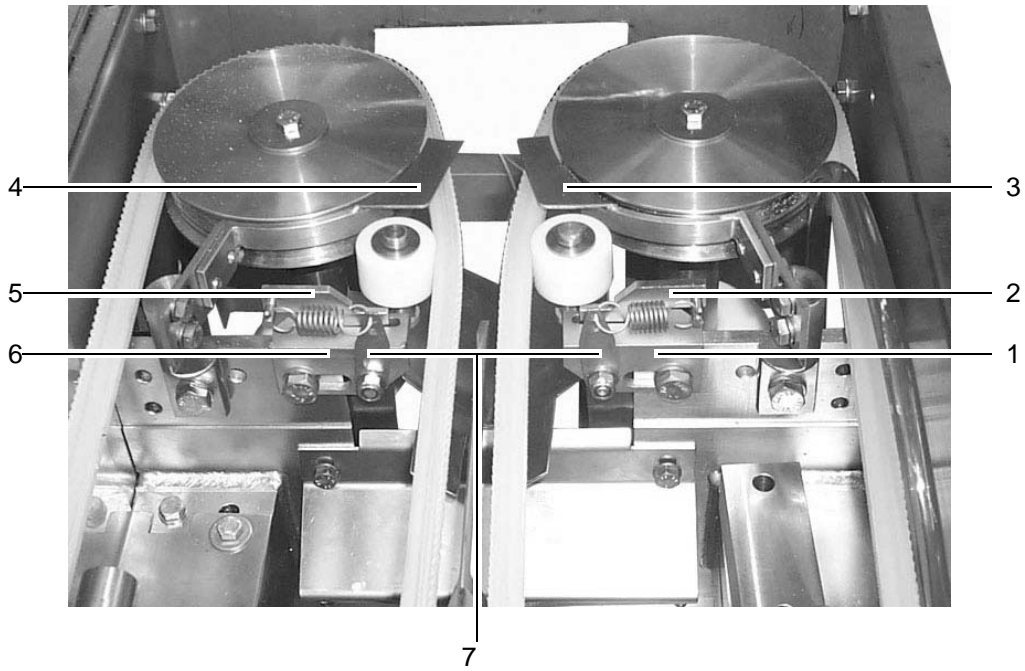


Pos. No	Part No	Name
1	CU-02289-3	Spring holder
2	CU-12954-3	Bracket
3	CU-01321	Spring
4	CU-12956-2	Shaft
5	CU-12957-2	Collar
6	CU-12959-3	Finger (21 MM belt)
	CU-12959-4	Finger (16 MM belt)
7	CU-00016-1	Washer
8	CU-00037	Screw
	TSNAH KR 1/8"RS	Nipple
9	CU-02288	Bracket
10	CU-12955-3	Bracket
11	CU-13091-2	Holder (2x)
12	CU-13090-2	Holder (4x)
13	CU-03135	Plate
14	CU-14214	Washer
15	CU-01816	Shaft
16	CU-01814	Lever
17	CU-03134	Plate
18	CU-00087-3	Bracket
19	CU-02261	Guide
20	CU-02208	Spring
21	CU-02910-2	Bracket
22	CU-01813-2	Support
23	CU-13092-1	Insert (5mm)
24	CU-13092-2	Insert (3 mm)

9 Belt, back guiding (CUL11 9,03)

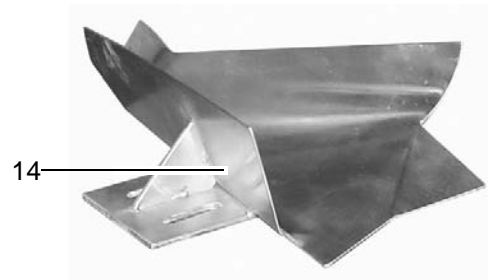
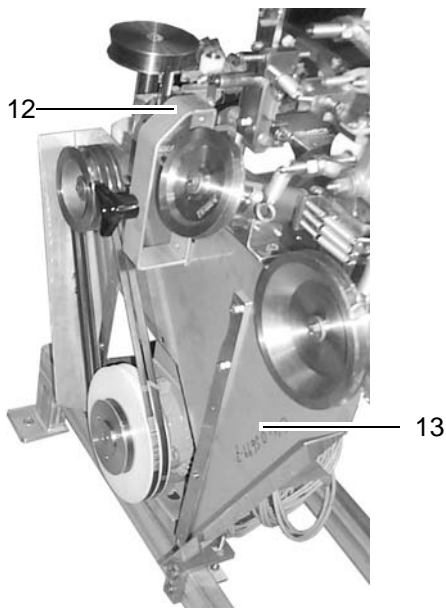
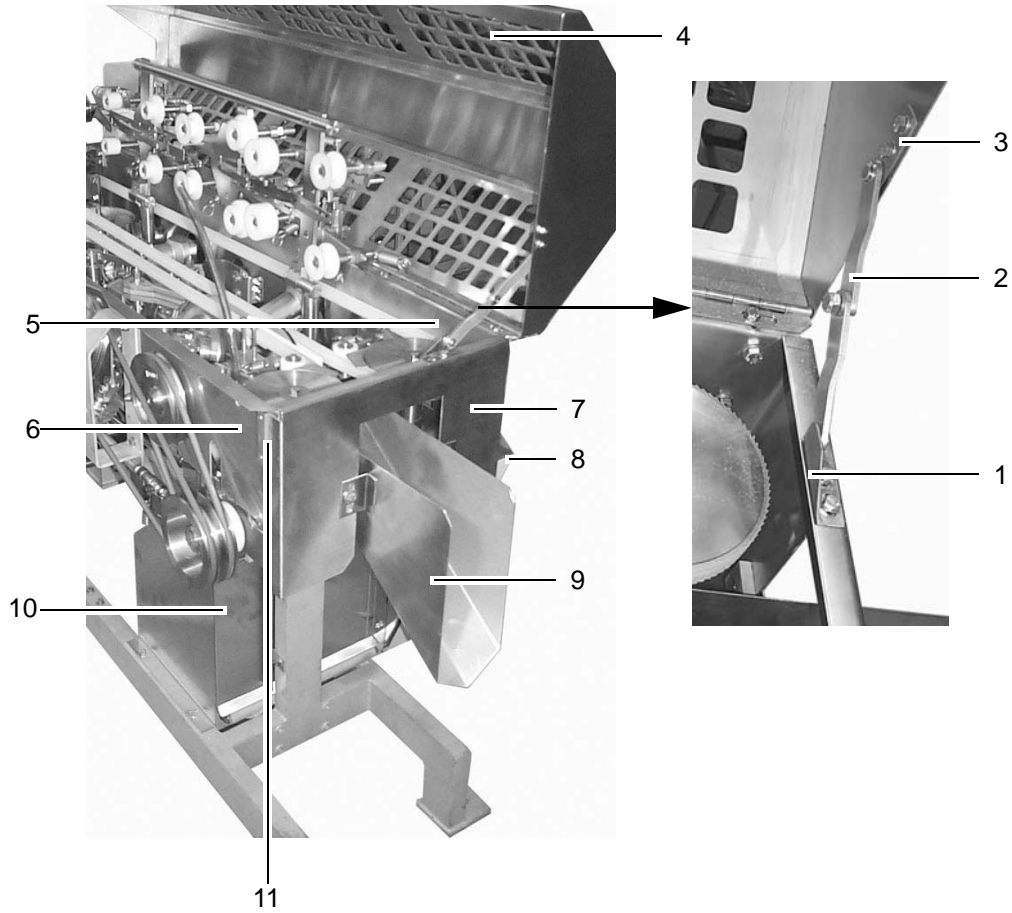


Pos. No	Part No	Name
1	CU-02236-2	Spring
2	CU-02237	Spring (2x)
3	CU-05559-3	Spring holder (5x)
4	CU-02289-1	Spring holder (4x)
5	CU-00133-7	Guide
6	CU-00135	Hub
7	CU-02236	Spring
8	CU-05227	Guide
9	CU-05228	Guide
10	CU-00346	Guide
11	CU-10339	Shaft
12	CU-00124-3	Shaft (5x)
13	CU-04424	Screw
14	CU-04423-1	Lever (F45)
	CU-04423-3	Lever (F60, F75, F90)
15	CU-04205-1	Guide (F45)
	CU-04205-3	Guide (F60, F75, F90)
16	CU-02275-5	Lever
17	CU-01927-2	Lever
18	CU-00120-4	Lever (5x)
19	CU-00124	Shaft (7x)
20	CU-01928	Adjusting screw
21	CU-00122	Link (6x)
22	CU-04535-9	Bracket
23	CU-00121-4	Lever (5x)
24	CU-04535-8	Bracket
25	CU-02276-5	Lever
26	CU-00378	Roller
27	CU-00162-2	Roller (Belt width=16mm)
	CU-00164-2	Roller (Belt width=21mm)
28	CU-00162-1	Roller (Belt width=16mm)
	CU-00164-1	Roller (Belt width=21mm)
29	CU-10341	Roller
30	CU-10340	Roller
31	CU-00162-2	Roller (Belt width=16mm)
	CU-00164-2	Roller (Belt width=21mm)
32	CU-00400-3	Roller



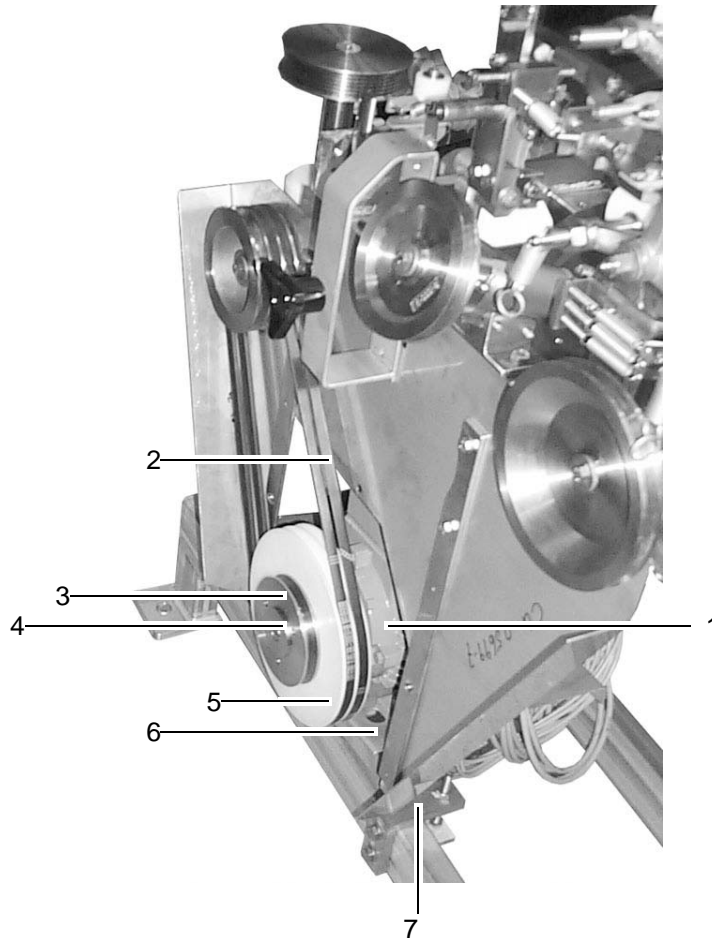
Pos. No	Part No	Name
1	CU-09401-2	Angle
2	CU-09398-3	Lever
3	CU-10997	Bracket
4	CU-10996	Bracket
5	CU-09399-3	Lever
6	CU-09400-2	Angle
7	CU-10998	Spring holder (2x)
8	CU-10483	Bracket
9	CU-10311-7	Support
10	CU-10311-6	Support
11	CU-10183	Shaft
12	CU-09397	Bracket
13	CU-04160	Belt (2x) (width 16mm)
	CU-04161	Belt (2x) (width 21mm)
14	CU-04535-7	Spring holder (4x)

10 Cover, chute (CUL11 10,01)



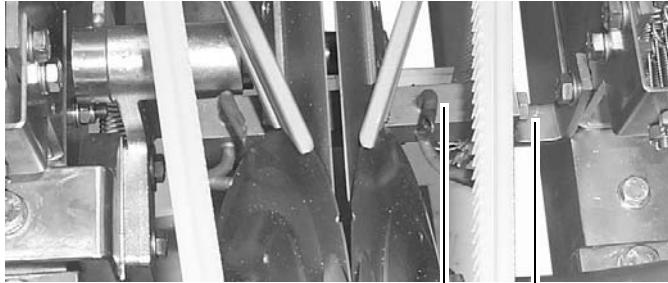
Pos. No	Part No	Name
1	CU-10832	Bracket
2	CU-10834	Link (2x)
3	CU-10833	Bracket
4	CU-10454-3	Cover
5	CU-00178	Plate (without CUM440)
	CU-00178-7	Plate (with CUM440)
6	CU-00177	Plate
7	CU-00180	Cover (without CUM42)
	CU-03969	Cover (with CUM42)
8	CU-05701	Cover
9	CU-04711	Chute (without single fillet unit)
	CU-04711-2	Chute (with single fillet unit)
10	CU-05700-4	Cover
11	CU-13704	Plate
12	CU-01308	Bracket
13	CU-05699-7	Cover
14	CU-03696-5	Chute (F60, F45)
	CU-03696-6	Chute (F75, F90)

11 Drive (CUL11 11,01)

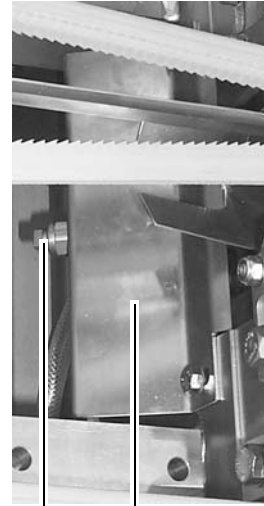


Pos. No	Part No	Name
1	5RN100L04	Motor
2	CU-03828	Belt (50Hz, F45-F75)
	CU-04805	Belt (60Hz, F45-F75)
	CU-08915	Belt (60Hz, F90)
	CU-03828	Belt (60Hz, F90)
3	CU-06367-5	Pulley
4	CU-13408	Washer
5	CU-06366	Pulley (50Hz, F45-F75)
	CU-06366-2	Pulley (60Hz, F45-F75)
	CU-06366-4	Pulley (50Hz, F90)
	CU-06366	Pulley (60Hz, F90)
6	CU-04685-2	Motor plate
7	CU-05546	Angle

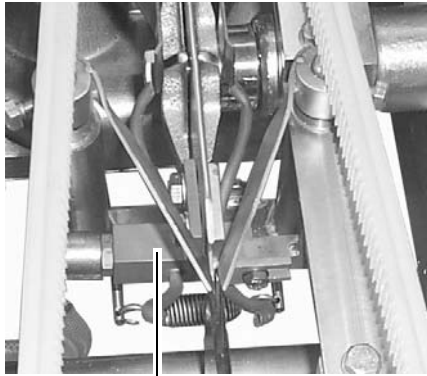
12 Flush system (CUL11 12,01)



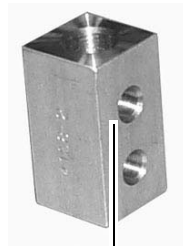
1 2



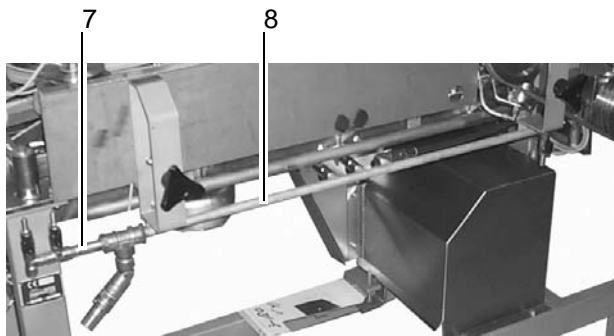
4 3



6



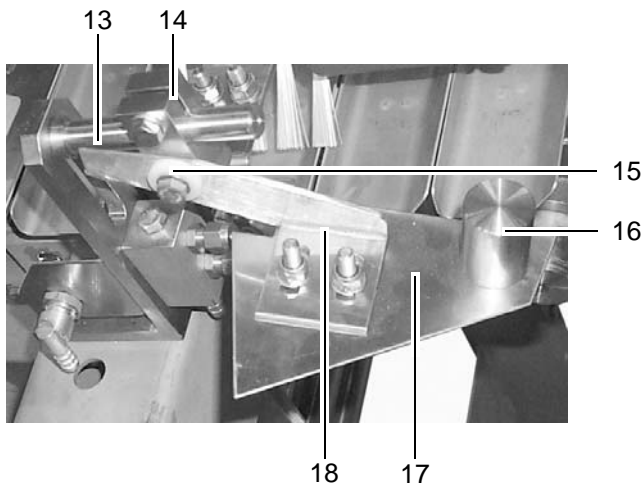
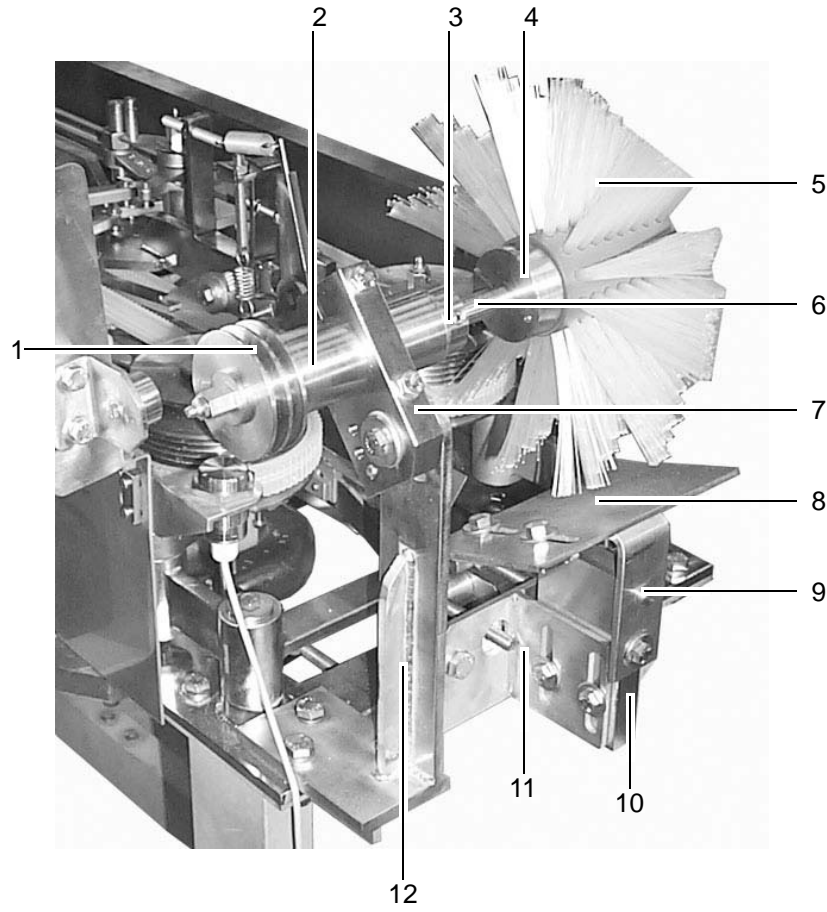
5



7 8

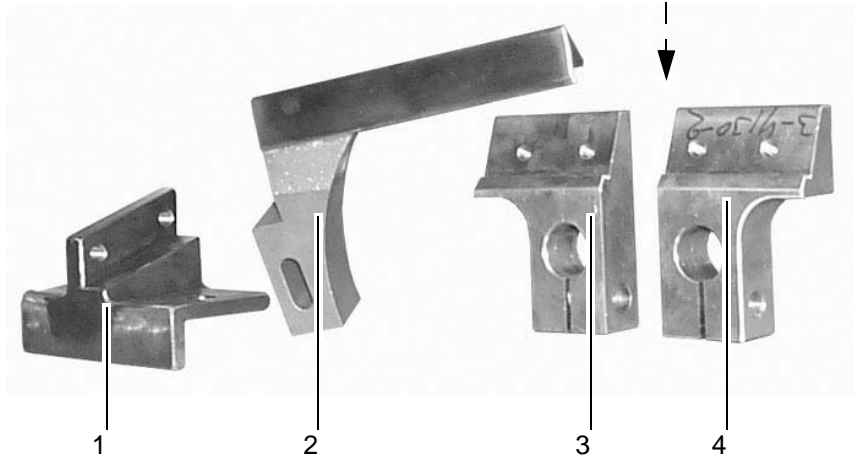
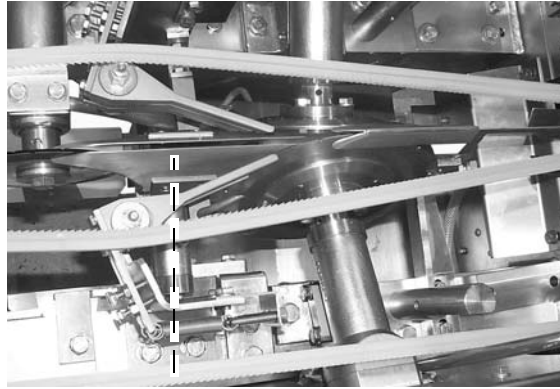
Pos. No	Part No	Name
1	CU-03157	Holder
2	CU-03158	Bracket
3	CU-05512-4	Plate
4	CU-00365	Nozzle
5	CU-04188-2	Support
6	CU-03421	Flow pipe
7	CU-09923-1	Pipe
8	CU-01352-4	Pipe

13 Brush (CUL11 13,01)



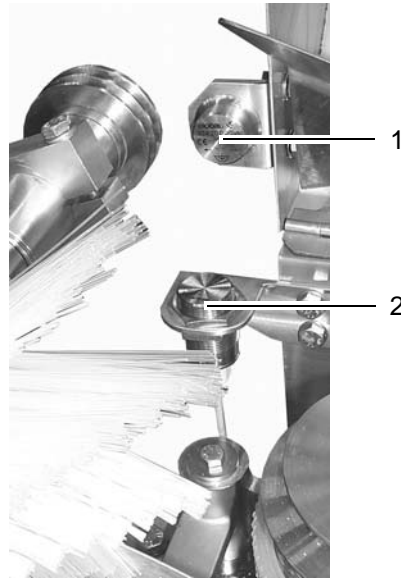
Pos. No	Part No	Name
1	CU-09913-6	Pulley
	CU-09518-4	Belt
2	CU-09911	Sleeve
	SLB 25/35X25	Bushing
	SGH 35 RS	Ring
3	SR 25X40 RS	Collar
4	CU-01858-3	Hub
5	CU-11255	Brush
6	CU-09912-3	Shaft
7	CU-09910-2	Hub
8	CU-06381	Bracket
9	CU-06385-1	Shaft
10	CU-06383-2	Bracket
11	CU-06380	Bracket
12	CU-11256	Support
13	CU-12297	Shaft
14	CU-12298-2	Hub
15	CU-12301	Hub
16	CU-02195-2	Weight
17	CU-12300	Plate
18	CU-12299	Lever

14 Size parts



Pos. No	Part No	Name
1	CU-00081	Bracket, Knife angle = 30°
	CU-00081-2	Bracket, Knife angle = 38°
2	CU-02277-2	Cover, 30°
	CU-02277-4	Cover, 38°
3	CU-04129	Bracket, 30°
	CU-04129-2	Bracket, 38°
4	CU-04130	Bracket, 30°
	CU-04130-2	Bracket, 38°

15 Miscellaneous





Pos. No	Part No	Name
1	ELO 304-200-00	Magnet
2	ELO 171-271-V8	Switch

